



StarterHorn™ 30° USMA

STH-30-USMA



StarterHorn™ 30° USMA

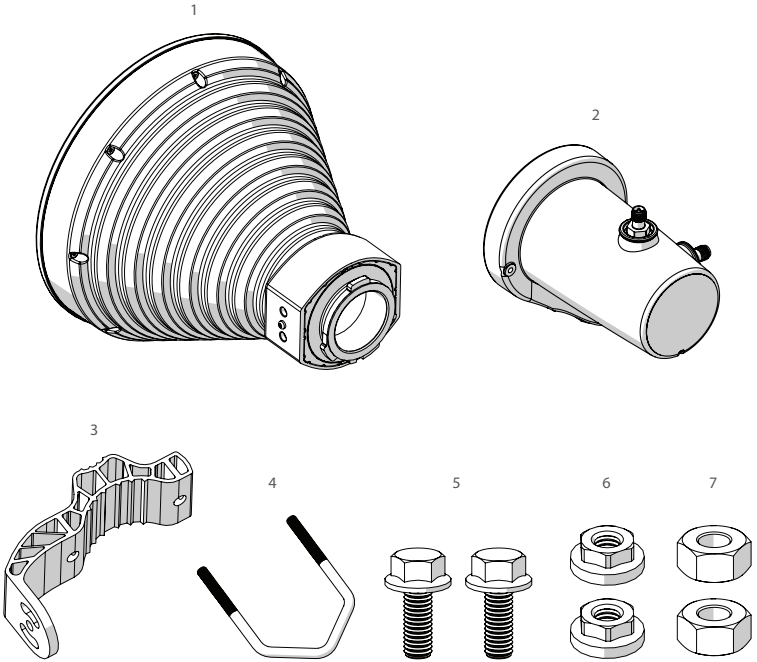
Overview

	Product ID	Dimensions	Weight	Gain
StarterHorn™ 30° USMA	STH-30-USMA	300x262x214 mm 11.8x10.3x8.4 inch	1.5 kg 3.3 lbs	18 dBi

Estimate based on the pre-production units. Subject to change.

StarterHorn™ 30° USMA

Package Contents:



Use 10 mm Ratchet Wrench when assembling the antenna

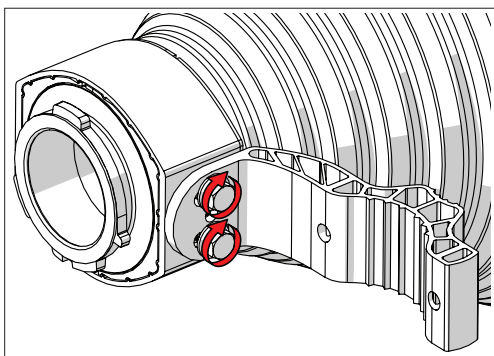
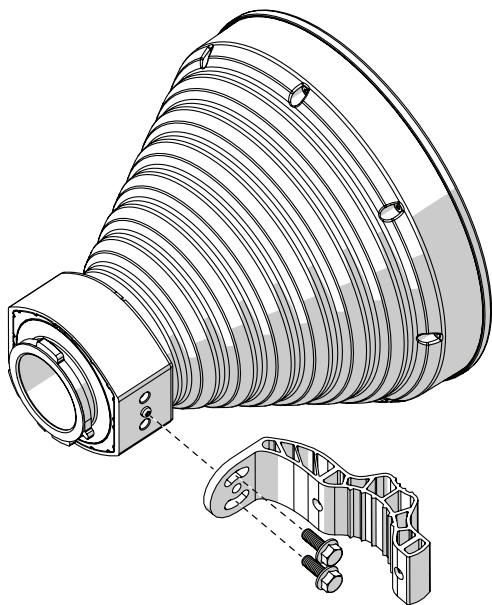
Number	Description	Quantity
1	Horn 30°	1x
2	STA-SMA	1x
3	Pole Mount Bracket	1x
4	V-bolt	1x
5	M6 x 16mm Screw	2x
6	M6 Nut without Surface Treatment	2x
7	M6 Nut with Surface Treatment	2x

StarterHorn™ 30° USMA

Step 1

Installation Guide

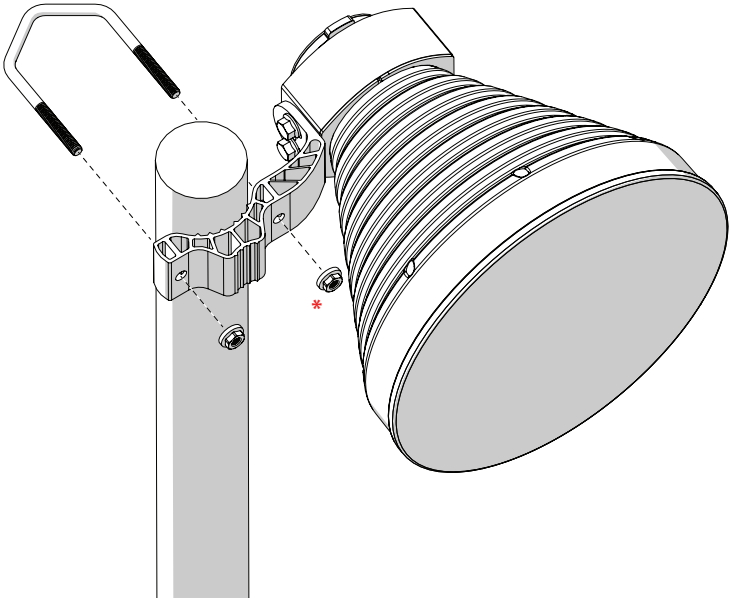
Follow this instruction for installation on the left side of the pole. For installation on the right side, attach the bracket to the other side.



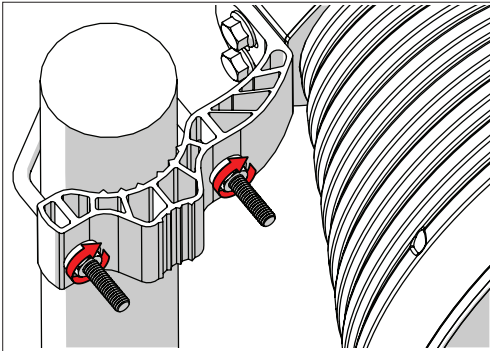
StarterHorn™ 30° USMA

Step 2

Installation Guide



* Optional: Surface treated M6 Nuts protect the bracket from galling.
If you use M6 nuts without surface treatment, use anti-seize thread lubricant.

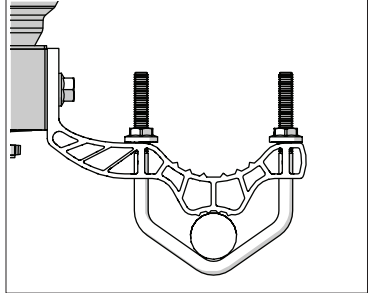
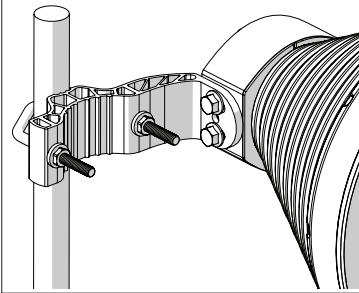


StarterHorn™ 30° USMA

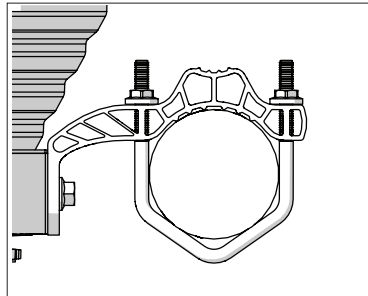
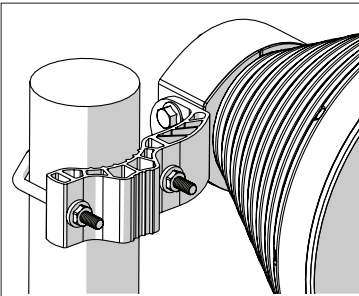
Step 3

Installation Guide

The Pole Mount Bracket should be oriented as shown below,
for pole diameter span: 20 - 43 mm.



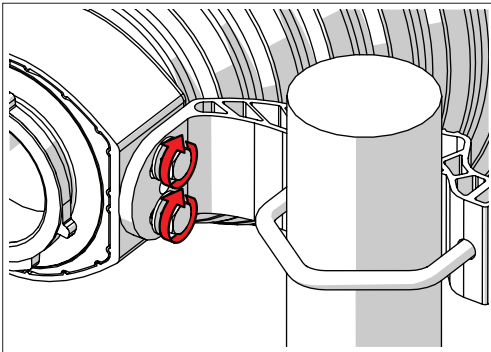
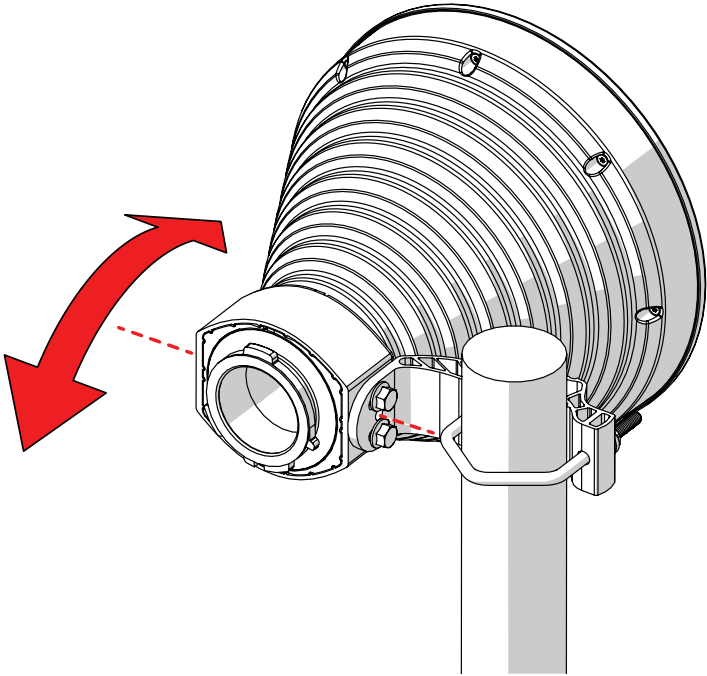
The Pole Mount Bracket should be oriented as shown below,
for pole diameter span: 44 - 55 mm.



StarterHorn™ 30° USMA

Step 4

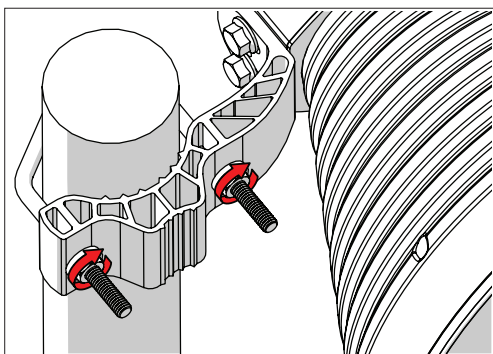
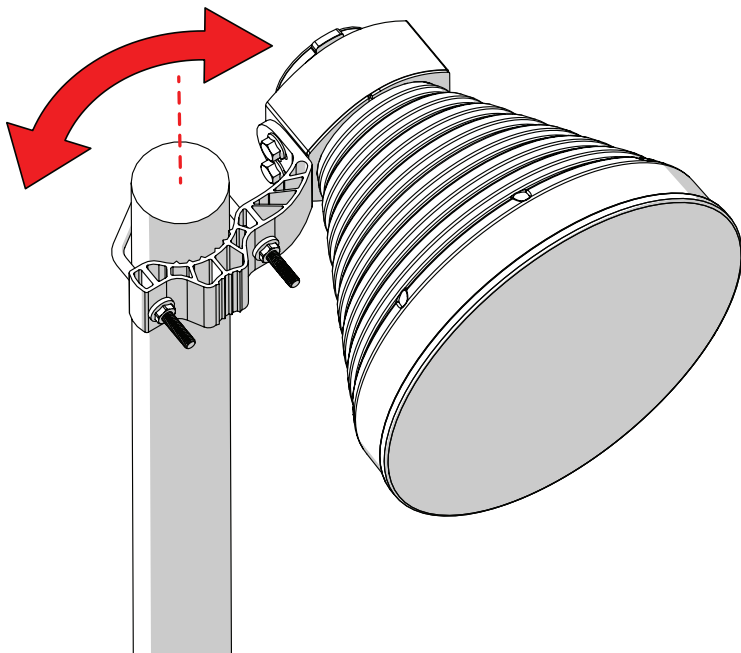
Installation Guide



StarterHorn™ 30° USMA

Step 5

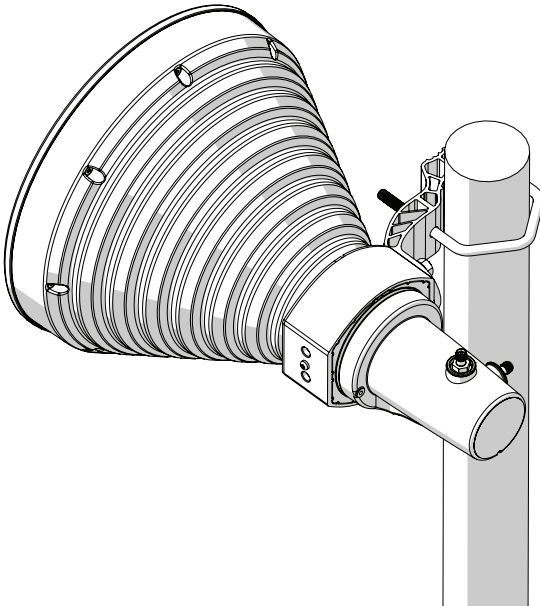
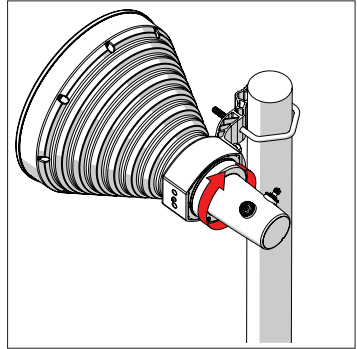
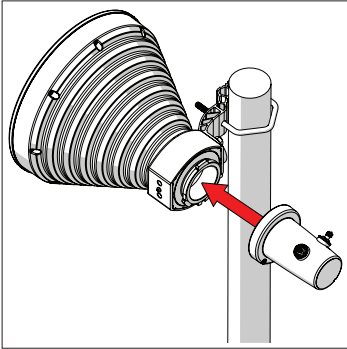
Installation Guide



StarterHorn™ 30° USMA

Step 6

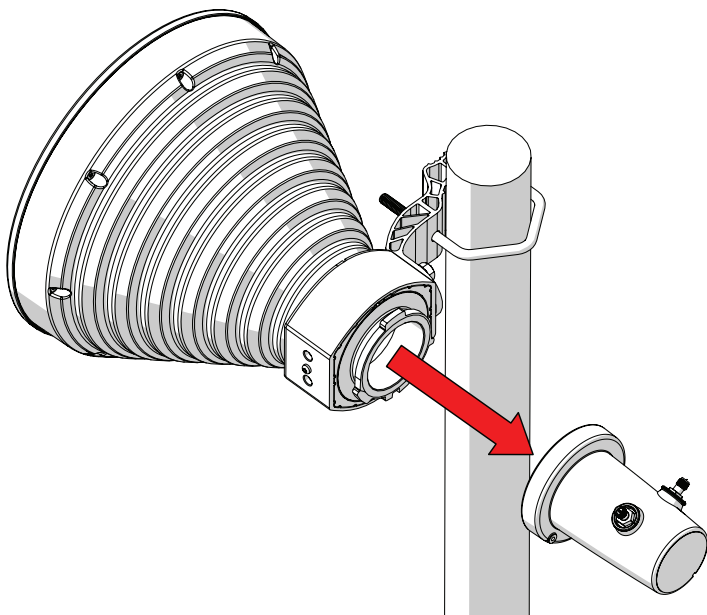
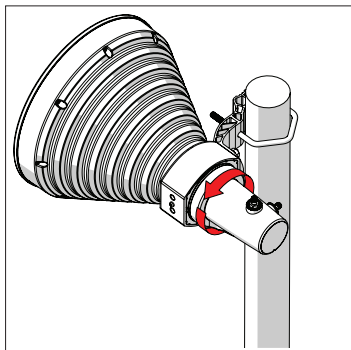
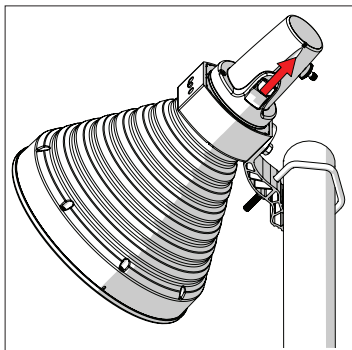
Installation Guide



StarterHorn™ 30° USMA

Step 7

Uninstallation Guide



Compatible Devices

For a list of compatible devices visit www.rfelements.com



RF elements® is trademark of RF elements s.r.o., Slovakia.

All rights of trademark owners reserved.



RF elements s.r.o.
Phone: +421 2 7333 7733
info@rfelements.com
www.rfelements.com