

User Manual - RB5009UPr+S+OUT



Safety Warnings

Before you work on any equipment, be aware of the hazards involved with electrical circuitry, and be familiar with standard practices for preventing accidents.

Ultimate disposal of this product should be handled according to all national laws and regulations.

The Installation of the equipment must comply with local and national electrical codes.

This unit is intended to be installed in the rackmount. Please read the mounting instructions carefully before beginning installation. Failure to use the correct hardware or to follow the correct procedures could result in a hazardous situation for people and damage to the system.

This product is intended to be installed indoors. Keep this product away from water, fire, humidity, or hot environments.

Use only the power supply and accessories approved by the manufacturer, which can be found in the original packaging of this product.

Read the installation instructions before connecting the system to the power source.

We cannot guarantee that no accidents or damage will occur due to the improper use of the device.

Please use this product with care and operate at your own risk!

In the case of device failure, please disconnect it from power. The fastest way to do so is by unplugging the power plug from the power outlet.

It is the customer's responsibility to follow local country regulations, including operation within legal frequency channels, output power, cabling requirements, and Dynamic Frequency Selection (DFS) requirements. All Mikrotik devices must be professionally installed.

Setup

- Make sure your ISP is allowing hardware change and will automatically issue an IP address.

- Connect your ISP cable to the first Ethernet port.
- Connect your PC to any of the Ethernet ports.
- Connect the device to the power source.
- Use a Web browser or WinBox to connect to the default IP address of 192.168.88.1 from any port, with the username *admin* and no password (or, for some models, check user and wireless passwords on the sticker).
- If IP is not available, download WinBox from our webpage and use it to connect through MAC address.
- Update RouterOS software to the latest version, and make sure that the device has an internet connection.
- If the device does not have an internet connection update software by downloading the latest version from our webpage <https://mikrotik.com/download>
- Find the latest software and choose your packages.
- To get the architecture type of your device model, open WinBox, WebFig go to (System/Resources).
- Download packages to the PC and upload them to the WinBox, WebFig, (Files) menu, and reboot the device.
- Set up your password to secure the device.

Powering

- PoE-in 802.3af/at
- PoE-Out 802.3af/at the Same voltage as supplied via 2-pin terminal - Passive PoE or
- 802.3af/at Compatible (if 44–57V PSU used)
- PoE-Out ports Ether1 - Ether8, max out per port output (input < 30 V): 620 mA, max out per port output (input > 30 V): 420 mA
- Smart PoE Controller
- Max total out 2.59 A
- Total output power 130 W
- Total output current 2.28 A
- Number of DC inputs 2
- Supported input voltage 24-57 V (PoE in) 24-57 (2-pin terminal)
- Max power consumption (without attachments) 15 W
- Max power consumption 150 W

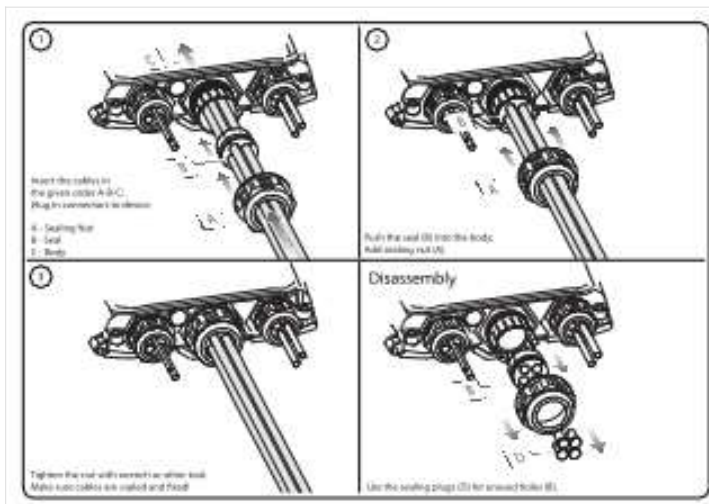
Configuration

Once logged in, we recommend clicking the "Check for updates" button in the QuickSet menu, as updating your RouterOS software to the latest version ensures the best performance and stability. For wireless models, please make sure you have selected the country where the device will be used, to conform to local regulations.

RouterOS includes many configuration options in addition to what is described in this document. We suggest starting here to get yourself accustomed to the possibilities: <https://mt.lv/help>. In case an IP connection is not available, the Winbox tool (<https://mt.lv/winbox>) can be used to connect to the MAC address of the device from the LAN side (all access is blocked from the Internet port by default).

For recovery purposes, it is possible to boot the device for reinstallation, see section [Buttons and jumpers](#).

Mounting



PDF

We recommend Cat6 cables for our devices.

*The mounting and configuration of this device should be done by a qualified person, to comply **IP66** class please observe the strict procedures for mounting instructions.*

Extension slots and ports

- 4RB5009UPr+S+OUT
- Product code RB5009UPr+S+OUT
- CPU Quad-Core 88F7040 1.4 GHz
- CPU architecture ARM 64bit
- Size of RAM 1 GB
- RAM type DDR4

- Storage 1 GB, NAND
- Number of 1G Ethernet ports 7
- Number of 2.5G Ethernet ports 1
- Number of 10G SFP+ ports 1
- USB 1 USB 3 type A
- Operating system RouterOS v7, License level 5
- Switch chip model 88E6393
- Dimensions 222 x 239 x 57 mm
- Operating temperature -40°C to +70°C

Buttons and jumpers

The RouterBOOT reset button has the following functions. Press the button and apply the power, then:

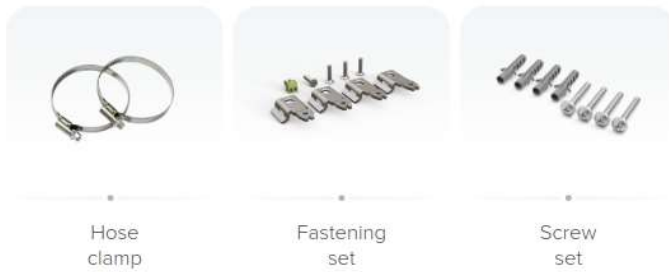
- Release the button when the green LED starts flashing, to reset the RouterOS configuration to defaults.
 - Release the button after the LED is no longer lit (~20 seconds) to cause a device to look for Netinstall servers (required for reinstalling RouterOS over the network).
- Regardless of the above option used, the system will load the backup RouterBOOT loader if the button is pressed before power is applied to the device. Useful for RouterBOOT debugging and recovery.

LED

- Hidden Green LED behind the Reset button is a USER LED
- Blue LED 1 is the DC1 Power LED
- Blue LED 2 is the DC2 Power LED
- Green SFP+ LED is an SFP+ port link and activity LED
- Ethernet RJ45 Green LEDs are Ethernet port link and activity LEDs
- Ethernet RJ45 Port 1 Orange LED is PoE-in status LED
- Ethernet RJ45 Port 2-8 Orange LEDs are unused on this model

Accessories

The package includes the following accessories that come with the device:



Operating system support

The device supports RouterOS software version 7.8. The specific factory-installed version number is indicated in the RouterOS menu /system resource. Other operating systems have not been tested.

To avoid pollution of the environment, please separate the device from household waste and dispose of it in a safe manner, such as at designated waste disposal sites. Familiarize yourself with the procedures for the proper transportation of the equipment to the designated disposal sites in your area.

Federal Communication Commission Interference Statement



This equipment has been tested and found to comply with the limits for a Class A digital device, pursuant to Part 15 of the FCC Rules. These limits are designed to provide reasonable protection against harmful interference in a commercial installation.

This equipment generates, uses, and can radiate radio frequency energy and, if not installed and used in accordance with the instruction manual, may cause harmful interference to radio communications. Operation of this equipment in a residential area is likely to cause harmful interference in which case the user will be required to correct the interference at his own expense

FCC Caution: Any changes or modifications not expressly approved by the party responsible for compliance could void the user's authority to operate this equipment.

This device complies with Part 15 of the FCC Rules. Operation is subject to the following two conditions: (1) This device may not cause harmful interference, and (2) this device must accept any interference received, including interference that may cause undesired operation.

Note: This unit was tested with shielded cables on the peripheral devices. Shielded cables must be used with the unit to ensure compliance.

Innovation, Science, and Economic Development Canada

This device contains license-exempt transmitter(s)/receiver(s) that comply with Innovation, Science, and Economic Development Canada's license-exempt RSS(s). Operation is subject to the following two conditions: (1) This device may not cause interference. (2) This device must accept any interference, including interference that may cause undesired operation of the device.

L'émetteur/récepteur exempt de licence contenu dans le présent appareil est conforme aux CNR d'Innovation, Sciences et Développement économique Canada applicables aux appareils radio exempts de licence. L'exploitation est autorisée aux deux conditions suivantes: 1) L'appareil ne doit pas produire de brouillage; 2) L'appareil doit accepter tout brouillage radioélectrique subi, même si le brouillage est susceptible d'en compromettre le fonctionnement.

This Class A digital apparatus complies with Canadian ICES-003.

Cet appareil numérique de la classe [A] est conforme à la norme NMB-003 du Canada.

CAN ICES-003 (A) / NMB-003 (A)

UKCA marking



(EN) Technical Specifications / (DE) Technische Spezifikationen / (FR) Spécifications techniques / (IT) Specifiche tecniche / (ES) Especificaciones técnicas / (RU) Технические характеристики:

(EN) Technical Specifications / (DE) Technische Spezifikationen / (FR) Spécifications techniques / (IT) Specifiche tecniche / (ES) Especificaciones técnicas / (RU) Технические характеристики:

(EN) Product Power Input Options

(EN) Degrees of protection provided by enclosure (IP Code)

(EN) Operating Temperature

(EN) Technical Specifications / (DE) Technische Spezifikationen / (FR) Spécifications techniques / (IT) Specifiche tecniche / (ES) Especificaciones técnicas / (RU) Технические характеристики:

(EN) Technical Specifications / (DE) Technische Spezifikationen / (FR) Spécifications techniques / (IT) Specifiche tecniche / (ES) Especificaciones técnicas / (RU) Технические характеристики:

<p>(DE) Produkt Stromquellen Optionen (FR) Options d'entrée d'alimentation du produit (IT) Opzioni di ingresso alimentazione del prodotto (ES) Opciones de entrada de energía del producto (RU) Варианты входной мощности продукта</p>	<p>(DE) IP-Klasse des Gehäuses (FR) Classe IP du boîtier (IT) Classe IP della custodia (ES) Clase de IP del recinto (RU) Класс защиты корпуса IP</p>	<p>(DE) Betriebstemperatur (FR) température de fonctionnement (IT) temperatura di esercizio (ES) Temperatura de funcionamiento (RU) Рабочая Температура</p>
<p>PoE In Ethernet Port (24 - 57 V DC)</p> <p>2-pin terminal (24 - 57 V DC)</p>	<p>IP66</p>	<p>-40°C..+60°C</p>